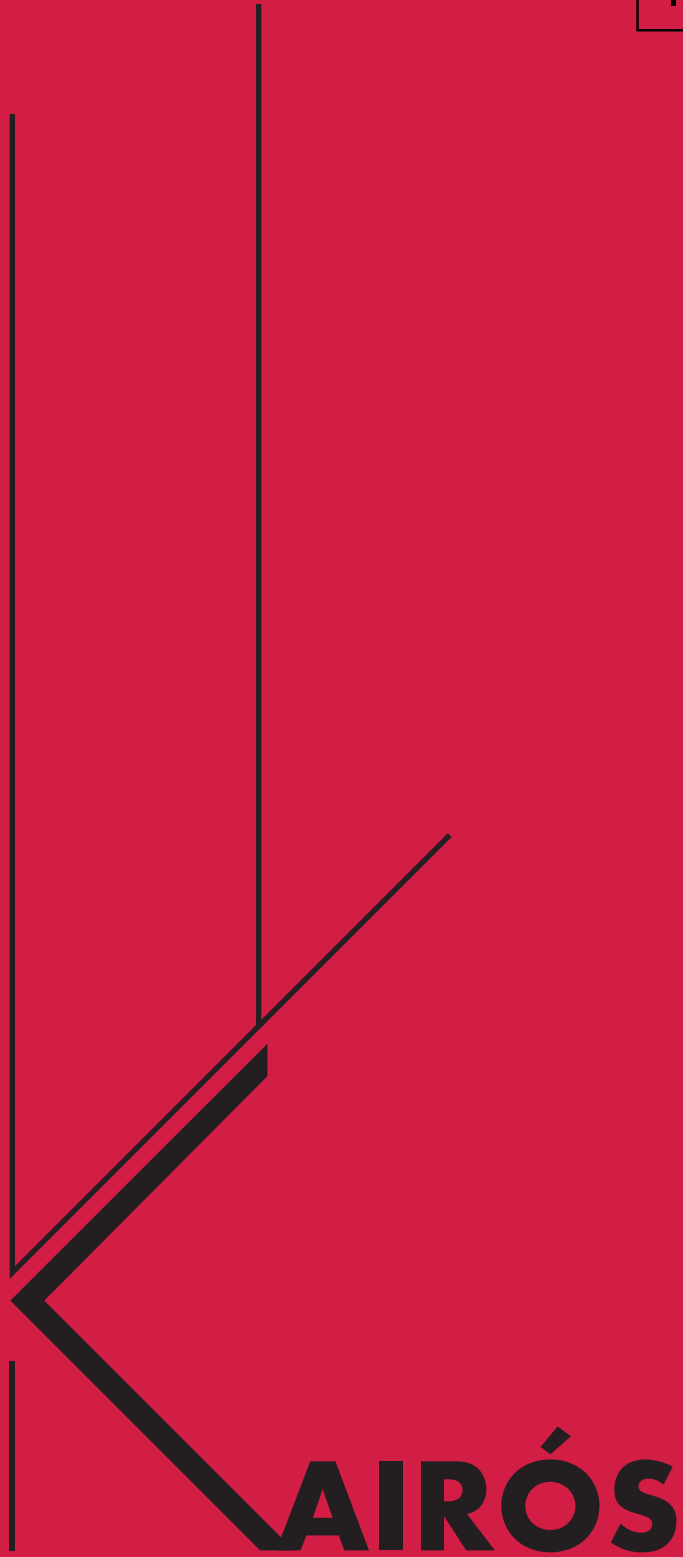


n e s i t e



AIRÓS

The Greeks identified time with two different deities: Kronos and Kairós.
Kronos indicates the quantitative nature, the passing of minutes, the mathematical time where each second devours the previous one.
Kairós indicates the qualitative and subjective nature where the sum of each moment gives meaning to our lives.

If Kronos is measured with clock hands,
Kairós is measured with emotions.

Kairós means acting in the logic of giving quality to time, trying to enjoy its most precious and profound essence.

Kairós is the propitious time, the opportune time, the happy moment that implies sensitivity and responsibility.
Kairós is the time of harmony.

PAG.

06

CONCEPT

PAG.

10

WALLS

PAG.

16

FLOORS

PAG.

24

CEILINGS

PAG.

30

RADIANT SYSTEMS

PAG.

36

MEETING POD





**In the simplicity of form lies
the complexity of experience,
a harmony of details with
essential and refined
aesthetics.**

concept

Integration applied to the Kairós system finds its meaning in dialogue, understood as conflict resolution in the design phase, thanks to elements that communicate, add up and complement each other.

Kairós is reciprocity, interdependence, relationship. The joint coordination of its elements creates an efficient and high-performance vision of a whole without contrasts, without overlaps.

Finally, beauty. Modelling the coexistence, the harmony that emerges from the profound knowledge of the three components.

Less. Better. Kairós.
A space without superfluous,
a functional, elegant, rational
interior development.

why

FUNCTIONAL

because we consider the three elements jointly and harmoniously, from the design to the construction site, solving the typical criticalities that occur when they are managed separately.

ELEGANT

because we use unique, dedicated profiles that allow concealed walls to be inserted into the floor and ceiling, removing the clutter of traditional wall profiles from view.

RATIONAL

because we manage the assembly sequence on site in an orderly manner, thanks to a single team of professionals who install ceilings, raised floors and walls, optimising time and guaranteeing the quality of the product on site.

**Free will, unconditional
expression of beauty in its
subjectivity thanks to a system
that makes integration
its strength.**

kairós

Kairós is the integration of architectural elements into interior spaces that require flexibility and technical performance. It is the system that makes different systems communicate through the same discreet and essential language, made up of concealed and minimalist profiles.

Kairós is the fluid, functional, modular and sustainable interconnection of the elements around us. The structural profile of the walls disappears because it is incorporated into the floor and ceiling. The design is unique, specifically intended to support ceiling panels and integrate walls and accessories. All to improve comfort and, above all, flexibility and reversibility of elements, walls, floors and ceiling.

Kairós is integrated design that joins without separating, that researches and suggests harmony, aesthetics and technology, to provide the optimal solution in the architectural modularity of the three elements already at the design stage.



INTEGRATED MULTIFUNCTIONAL BANDRASTER
FOR WALLS AND ACCESSORIES

BANDRASTER FOR WALLS
AND LED LIGHTS

REMOVABLE ACOUSTIC
METAL CEILING

HINGED OR
SLIDING DOOR

INTEGRATED SINGLE OR
DOUBLE-GLAZED WALL

FLOOR PROFILE PRESET
FOR WALL INTEGRATION

INTEGRATED
FLOOR PROFILE

RAISED
ACCESS FLOOR

01



INTEGRATED WALLS

Simplicity, only 4 profiles to make up the wall

Safety, single and double-glazed UNI 10880:2000 certified (impact resistance) walls

Acoustic certification 39 dB - 48 dB

The walls integrated in the Kairós system represent an element of high aesthetic and comfort value, characterised by their concealed insertion in the floor and ceiling, provided by the special profiles that fit flush into the two components. The result is a visually unbounded transparency that seems to extend beyond its perimeter limits.



HEADQUARTER IN TRENTO / INTEGRATED WALLS

Glass walls

Kairós can be composed of single or double-glazed walls made of 10 or 12 mm thick laminated safety glass, with acoustic PVB in between for a certified insulation of 39 dB with a single-glazed wall and 47 dB with a double-glazed wall. The walls are made of interchangeable profiles, which can always be reconfigured.

They can be completed with sliding or hinged doors, equipped with any driven or home automation systems, and panic bars.

Full-height walls and doors up to 3.80 m are possible.

DOORS

Doors complete the versatility of the Kairós system by offering no less than 5 single-glazed swing doors, 2 double-glazed swing doors and 2 sliding doors configurations.





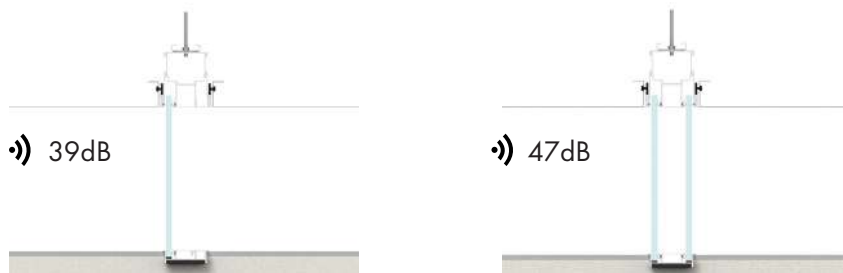
HEADQUARTER IN TRENTO / SWING DOOR

Development

ACOUSTICS

With Kairós integrated design, the acoustic bridges that are usually created when the three components are installed separately are eliminated. Kairós, without any intervention, already introduces a first barrier against the different disturbing factors. In terms of acoustic design, on the other hand, the profiles are designed to build acoustic partitions, thus creating a second and unique noise barrier.

In addition to the wall performance, which provides up to 47dB of noise reduction, the acoustic baffles extend the noise barrier beyond the ceiling and under the floor, providing high levels of comfort and insulation.



MOTORISATION AND HOME AUTOMATION

All types of swing doors can be motorized with a particular retractable system. The sliding doors, on the other hand, can be equipped with the exclusive magnetic induction motorization with softmotion technology, a unique solution on the market. The Kairós system can also be prepared for home automation integration by creating the technical compartment with a special sandwich panel.

SECURITY

All doors can be equipped with panic bars, electric strikes and integrated door closers and, in special versions, they can also have large dimensions up to W1500x H3300 mm.





HEADQUARTER IN MODENA /HOME AUTOMATION

02

FLOOR INTEGRATION

The raised floor is a system consisting of modular panels supported by a steel structure, whose function is to facilitate the inspection of the systems in the underlying section.

We are talking about a solution that has always been considered structural and independent, therefore separated from the other interior finishes, an approach that often generates friction events in the architectural modularity of the other elements, with technical problems related to both the construction and installation phases.

An idea whose revision is the key principle of the Kairós system, which becomes a fluid response to questions and conflicts that arise from the lack of symbiosis in the design of all the elements.



Raised floor

INSPECTIONABLE

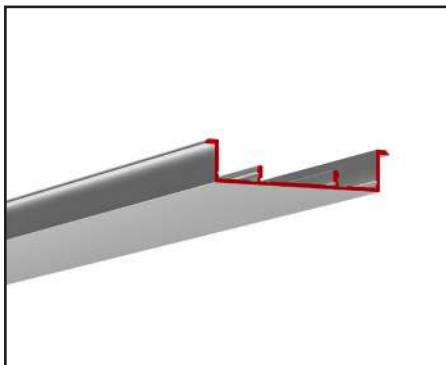
The Kairós system was created to integrate with the inspectionable raised floor, composed of modular panels of various materials, formats and thicknesses. This is the optimal solution that allows you to benefit from all the advantages of a raised floor - modularity, flexibility, accessibility - which can be widely declined in terms of aesthetics thanks to the very wide range of finishes: stoneware, cork, resin, resilient and textile coverings, marble, natural stone or granite, self-laying coverings.

NOT-INSPECTIONABLE

Kairós can also be integrated into a non-inspectable raised floor, made with the Tetris Floor interlocking system, consisting of panels with a calcium sulphate core, characterised by a tongue-and-groove edging, which determines its quick and easy installation, as well as its high strength.

The Tetris Floor is an alternative to traditional flooring due to the uniformity of the surface, with a distinct advantage in terms of laying time. The immediately practicable walking surface can also be combined with any type of finish and size, for a wide range of applications.

Available in various thicknesses, the Tetris Floor allows partial accessibility to the subfloor at predetermined points through access flaps.



Floor integration profile



Double-glazed wall application



HEADQUARTER IN MODENA /INSPECTIONABLE RAISED FLOOR

Lighting integration

JUNO LED

JUNO is the new high-brightness LED walkable panel, designed to fit inside raised floors, which allows you to create paths of light or highlight objects within an environment, with maximum exibility.

The finish in Solid Surface HI-MACCS®, in addition to ensuring resistance and ease of maintenance, makes the panel elegant and refined, ideal for projects with high aesthetic impact.

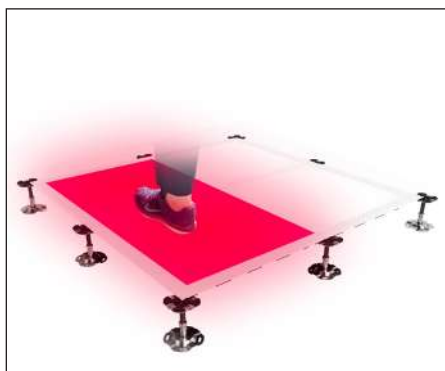
Composed of eco-friendly materials, JUNO is also a very low energy consumption solution, with a minimum lifetime of 30,000 hours and absorption of only 30 W. Also available in a dimmable version, it can be integrated with the Kairòs system and wall automation.

JUNO VISUAL

JUNO VISUAL is the panel that allows multimedia projections on the floor thanks to the integration of the walkable video display, made of high-strength tempered glass

The system makes use of a supplied software, to be installed on one's PC, which allows the management of the projections.

JUNO VISUAL is designed for impactful visual effects, whether for entertainment purposes or for branding and/or promotional finities.



Juno Led



Juno Visual



POP-UP STORE NY /JUNO LED

Biophilic integration

FLOORA

Floora is the flexible system of floor plants, interchangeable with the raised floor panels, which allows you to design customized green areas in indoor spaces.

Easy to fit in, Floora promotes an idea of contemporary living to all intents and purposes "green", with the possibility to create your unique composition choosing among many indoor plants.

The simplicity of composition makes it possible to create green islands or green paths in just a few hours, choosing from plants of various types and heights, which can be used as decorative or dividing elements.

Floora is designed to improve the climatic quality in indoor environments, bringing all the benefits of plants with ease.



Floora integration



HEADQUARTER IN PADOVA / FLOOR A

03

CEILING INTEGRATION

A continuous line, an unbroken stretch in thought, design, execution. The Kairós system completes its evolution in the ceiling development, connected to everything through a single profile, also designed to incorporate wall, lighting and other accessories.

Kairos can be completed with any type of ceiling (fibre, metal, wood, plasterboard, etc.), where the bandraster structure makes it easy and practical to support any panel.

The integration brings back the flexibility and security of the load-bearing elements, with exclusive aluminium profiles designed for both structural pendant layout from the floor and for bracing in the case of an earthquake-safe ceiling.



False ceilings

METALLIC

The metallic ceiling is created with customised panels, modulated according to the surface and any architectural constraints. It consists of two basic elements: supporting structure and finishing panels.

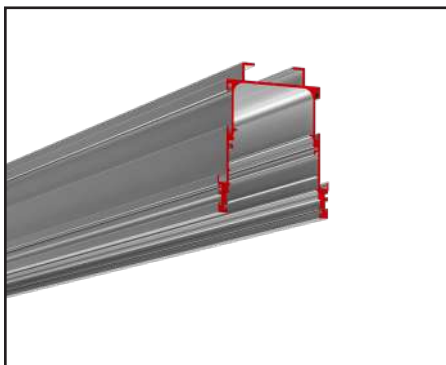
The load-bearing structure is made of a unique aluminium profile, designed to be hung directly to the floor slab. The panels can be installed against the structure and, if equipped with pivot pins, can be opened to allow easy inspection and maintenance of the ceiling systems.

Finishing panels are offered in flat micro-perforated versions, with high sound absorbing capacity and customisable hole patterns, or in expanded metal, with pleat sizes and geometries to project specifications.

SLATTED

The slatted ceiling is offered in two material options - natural wood or recycled felt - both solutions with certified performance, high sound absorption and aesthetic impact, conferred by the full-empty development of the slats and the wide colour range.

The slatted ceiling is constructed with a pre-spaced metal superstructure to allow for easy attachment of the slats with pre-determined full-empty dimensions. The superstructure is fixed to a plasterboard sheet, which increases the sound insulation performance, further reinforced by a sound-insulating and absorbent mat.



Ceiling integration profile



Double-glazed wall integration



HEADQUARTER IN TRENTO / METALLIC CEILING

Accessories



VENTILATION

With Kairos, the air diffusers are chosen, designed and incorporated into the system with a focus on overall design. We take care to make them an integral part of the system, easy to assemble and co-ordinated with the other elements, so that functionality and design are always under control.



LIGHTING

Kairós offers continuous row lighting, achieved with slim version LED strips inserted in the bandraster. It is a low voltage, and therefore energy-saving, solution for office environments. Remotely controllable with various home automation management systems.



ACOUSTIC Baffles

Kairós can be supplemented with acoustic baffles, which extend the sound barrier beyond the ceiling and under the floor, enhancing the noise barrier.



PRIVACY

Kairós can be implemented with motorised roller blinds, concealed in the bandraster, to add privacy to any room.



HEADQUARTER IN TRENTO /LIGHTING INTEGRATION

04

RADIANT SYSTEMS

Kairós system can be supplemented by both underfloor and ceiling radiant systems, with high thermal efficiency solutions, for rapid response in terms of heating and cooling.

The walking surface offers the possibility of development with a fully inspectable radiant floor - the patented Diffuse system - or partially inspectable - Tetris Floor Dry - both proposed by Nesite and conforming to UNI-EN 1264 subtype B.

Thanks to the modularity of the panels, Kairós integrates ceiling air conditioning with up to 90% active surface area. The trapdoor opening of each individual panel, independent of the others, reduces maintenance costs and increases the efficiency of the system.



Radiant floor

INSPECTIONABLE

Underfloor heating and cooling can be achieved by integrating the Diffuse system, the only radiant raised floor that can be fully inspected, with continuous pipework and no connections between individual panels.

Lightweight, easy and quick to install, Diffuse is immediately walkable and has a very low thermal inertia, which allows a quick response is needed in terms of both heating and cooling.

A fundamental element that gives the system the highest thermal efficiency in compliance with Standard UNI-EN 1264 sub-type B is the lower thermal insulation system composed of insulating panels in extruded expanded polystyrene 300 kPa, 40 mm thick, to which a 0.5 mm thick shaped aluminium foil is coupled for perfect adherence to the heat exchanger tube.

Diffuse maintains aesthetic versatility with a wide range of finishes and offers the possibility of replacing the cladding over time, while maintaining the radiant system, with considerable savings in cost and time.

PARTIALLY INSPECTIONABLE

In situations where it is not possible to insert a fully inspectable raised floor, the radiant system can be created with Tetris Floor panels, supplemented by a system with low thermal inertia, consisting of an insulating panel in expanded polystyrene with graphite additive, coupled with 0.5 mm pure aluminium heat conducting slats (conductivity 200 W/mk) with heat diffusion function, constructed according to EN 1264 sub-type B.

The panels are then coated with self-laying finishes or glued directly on site, thus allowing maximum flexibility in type and size. The accessibility of the sub-floor can only take place partially, through access doors to be placed at the main facilities.





HEADQUARTER IN ROVIGO /INSPECTIONABLE RADIANT FLOOR

Radiant ceiling

INSPECTIONABLE

The accessible radiant ceiling system is a particularly flexible solution, suitable for both new buildings and redevelopment interventions. It ensures many advantages, excellent thermal and acoustic performance, allows the creation of suspended ceiling structures, which can be easily inspected without the need for special equipment.

The radiant circuit is pre-installed internally and completes the structure with a rear layer of insulation. The visible part is covered with a micro-perforated metal sheet in steel, which helps the formation of ceilings with a linear design, particularly suitable for creating suspended structures inside buildings in the tertiary sector (offices, shopping centers, hotels, airports, schools, shops).

The accessible radiant ceiling system ensures excellent heat output values in terms of heating / cooling, thanks to the homogeneous heat distribution given by the large heat exchange surface and pipe laying.

PARTIALLY INSPECTIONABLE

The radiant ceiling can be realised in the non-inspectable version, consisting of NESITE DRY panels, made of extruded polystyrene with graphite additive, coupled with shaped pure aluminium slats, to contain the 16x2 multilayer pipe with 133 mm laying pitch.

The system can be installed directly on the existing ceiling with a plasterboard finish to cover the panel, or it can be installed in a drop ceiling.

The radiant ceiling in well-insulated rooms provides perfect thermal comfort in both winter heating and summer cooling, due to the absence of air movement and uniform temperature distribution. Furthermore, the ceiling has a very low thermal inertia and can therefore respond very quickly to heating/cooling demands.





HEADQUARTER IN PADOVA /RADIANT CEILING

05

MEETING POD

Meeting PODs are compact environments designed for maximum privacy. They are a discreet place, usable by everyone, mainly dedicated to business meetings or moments of relaxation, isolated from outside noise and immersed in unique comfort.

PODs are custom-designed and tailor-made to meet the needs of both the individual and the team. All elements - size, lighting, ventilation, furniture, colours - are the result of specific and individual choices and offer all the comforts of modern working environments.



MEETING POD

Details

STRUCTURE

The meeting pods are constructed with a bearing structure in laminated wood and a sound-absorbing acoustic ceiling made of wooden slats in various wood species. The walls can be single or double-glazed, equipped with hinged or sliding doors.



PROFILE

The profiles make up the support structure of the glass walls and are made of aluminium, in a wide range of colours. The concealed insertion into the wood emphasises the transparency of the glass, making the design even more minimalist.



LIGHTING AND VENTILATION

The meeting pods are supplied complete with integrated LED lighting and forced ventilation.







NESITE - Transpack Group Service SpA.

PADOVA
via S. Marco 11
35129 Padova (PD)
+39 049 8072536

MILANO
viale T. A. Edison 50
20099 S.S. Giovanni (MI)
+39 02 83595156

PRODUCTION
via dell'Industria 19
35028 Piove di Sacco (PD)
+39 049 8072536

nesite.com

n e s i t e